

## Switches and Accessories JKH Foot Throttle



## USES

Foot speed control for electric vehicles, electric tricycles, trucks, recreational vehicles, classic cars, brick cars, solar boats

<u>JKH</u>	<u>-0</u>	<u>0</u>	<u>3</u>	<u>-A</u>	<u>-65</u>
1	2	3	4	5	6
1	Product type: Hall pedal accelerator				
2	Hall input voltage 0:0-5v; 1:12V; 2:24V; 3:36V; 4:48V; 6:60V; 7:72V; 8:84V; 9:96V				
3	output voltage 0: 0-5V; 1: 0.8-4.2V; 4: 4.2-0.8V; 5: 5-0V; 6: 0-10V				
4	Total number of conductors: 2; 3; 4; 5; 6; 7				
5	Plug type 2.8p: 2.8 insert (C, D); 2.8h: 2.8 snap spring; 6.3p: 6.3 insert (P); 6.3h: 6.3 snap spring (A)				
6	Wire length (CM)				

## USE OF THE ENVIRONMENT

Ambient temperature	-30~+85℃
Relative humidity	+20℃ 98%
the vibration frequency of the	3G, 1 ~ 50Hz 0.5mm amplitude
Altitude	2000m
Installation direction	Random
International protection	IP68

## ORDER INSTRUCTION

U.N.W.	1000g
Package QTY.	40 PCS

## ORDER FORM DESCRIPTION

Please specify the following information when placing an order: name, complete model, and quantity ordered. For example: JT2-D 0.8-4.2V 100 pieces. Special output voltage specification products can be ordered by users if needed.

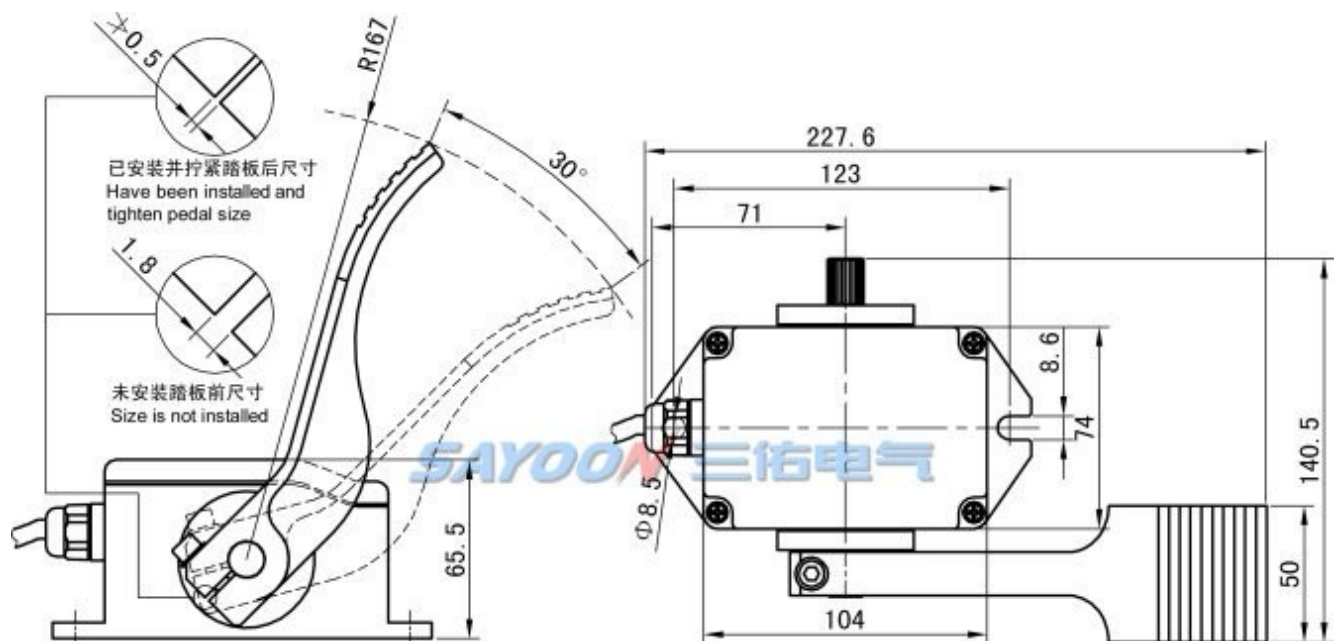
## TECHNICAL PARAMETERS

(Version 2.56)

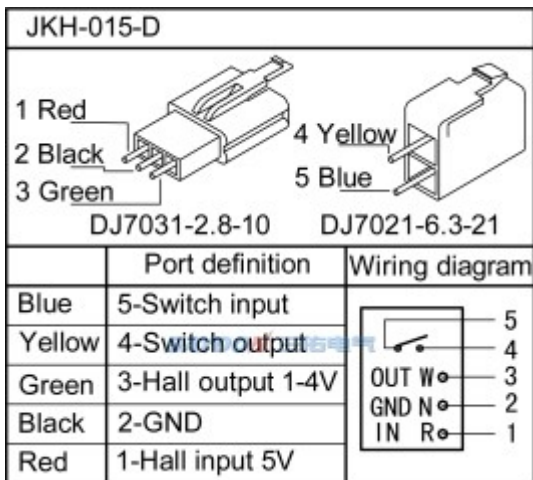
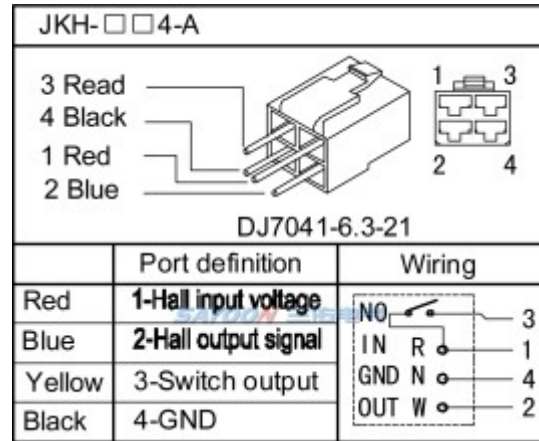
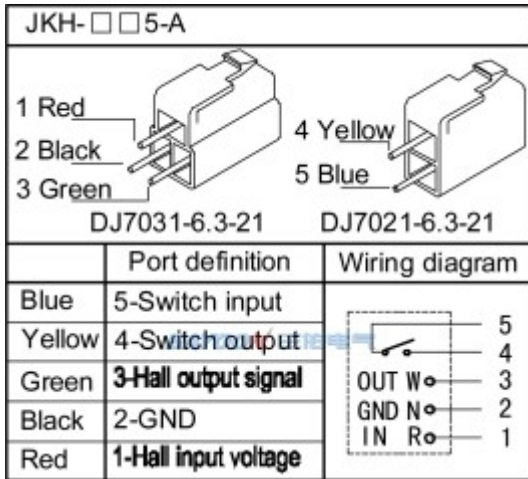
SAYOON Product Type	JKH
Input voltage	5V,10V,12V,24V,36V-84V,96V, Any voltage
Output	0.8-4.2v;0-5V;5-0V;4.2V-0.8V;0-10V;10-0V
Output rated load current	10mA
Output type	Voltage
Wire length	650 mm
Pedal rotation angle	30 degrees
Micro Switch resistive load current	2A
Micro Switch Inductive load current	1A
Accelerate the operating voltage of the switch	0-96V
Pedal position	Vertical or suspension
Installation form	Vertical or suspension
Testing organization certification	CE

Note: The main components of this product use Hall sensors and strong magnets, and interference caused by environmental electromagnetic waves and temperature should be avoided as much as possible during use. If used as signal sampling, it should be filtered before use. Please refer to the Hall parameters for the tolerance of the product output. If there are any selection issues, please

## INSTALLATION DIAGRAM



## WIRING DIAGRAM



## FEATURES

Pedal accelerator pedal device is through one of the most important components of motor controller management operation, its quality determines the user driving reliability and comfort. The company accelerator has the following characteristics:1 Mechanical and electronic signal, logic signal, to prevent runaway.2 double torsion spring design, reasonable structure, prevent speed, high safety.3 waterproof and anti vibration, suitable for a variety of vehicle environment.4 imported sensitive components, the temperature drift is small, the work is stable.5 non contact type induction work, no wear, long life.6 the output curve is reasonable, the vehicle control freely.