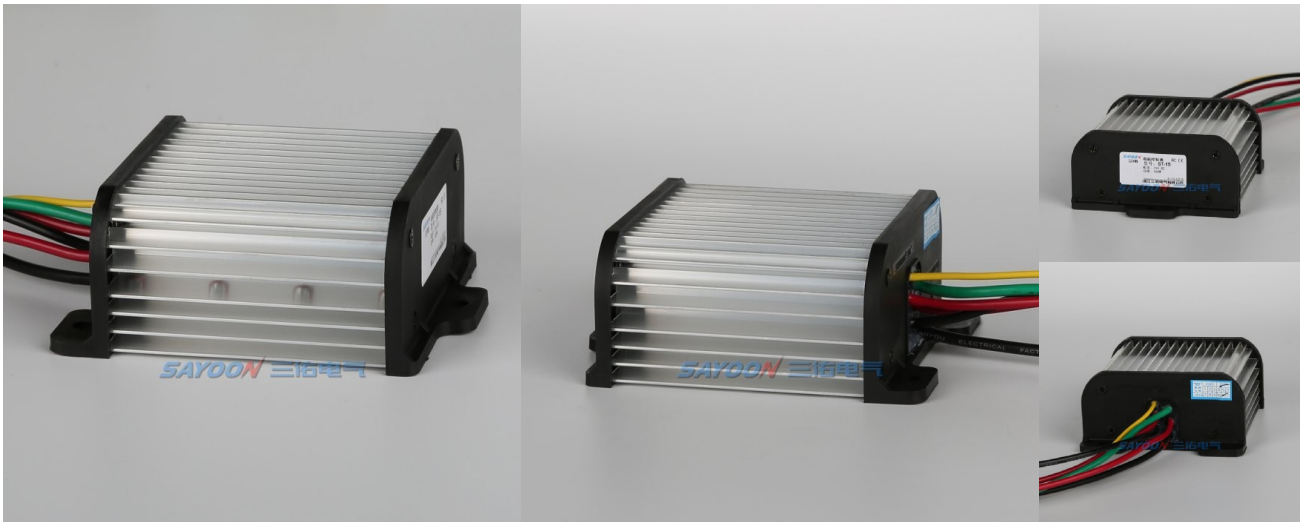


## DC Motor Controller ST-1S Brush DC Motor Controller



### USES

Control of brush motors, series motors, electric tricycle for travel, recreational vehicles, electrical machinery and equipment, floor sweeper, system, ceramic machine, throwing cars, brick car, clean cars, solar boats

ST-1	S	□	□	□
1	2	3	4	5

- 1 Product type
- 2 S: Hall accelerator control; D: Potentiometer control
- 3 Rated voltage
- 4 Rated power
- 5 Input plug type A: 6.3 plug; B: 2.8 snap spring

### USE OF THE ENVIRONMENT

Ambient temperature	-30~+85℃
Relative humidity	+20℃ 98%
the vibration frequency of the	3G, 1 ~ 50Hz 0.5mm amplitude
Altitude	2000m
Installation direction	Random
International protection	IP55

### ORDER INSTRUCTION

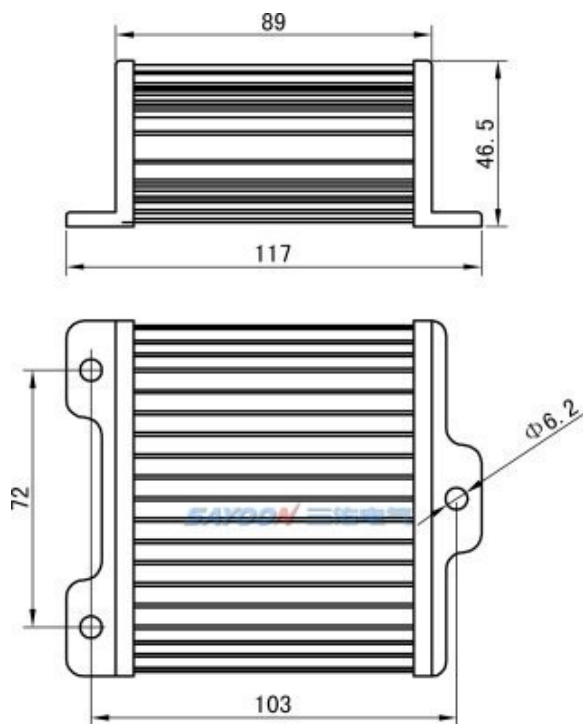
U.N.W.	318g
Package QTY.	50 PCS
Meas.(cm)	60*27.5*29.5

## TECHNICAL PARAMETERS

(Version 1.32)

SAYOON Product Type	ST-1S
Rated power	350W;500W
Rated voltage	12V;24V;36V;48V
Rated current(A)	15A;20A
Throttle signal types	0.8-4.2V; 0-5k
Effective control of voltage range	1.8-3.5V
Rated power loss	≤5W
Throttle interface type	Three-wire 2.8 insert(default)

## INSTALLATION DIAGRAM



## WIRING DIAGRAM

